

CROS PLUS 1

Secure Optical Connection Box with Individual Management of Subscribers

- Individual management of the subscriber lines,
- Allows progressive cabling and therefore progressive network deployment,
- Secure and independent access to each of the user and carrier zones,
- Connector accessibility,
- Simple adaptation to various cabling structures and cabling configurations,
- A very robust design.

■ Application :

The CROS PLUS I connection boxes are a perfect solution for optical fibre connection and distribution to residential, private, collective or professional subscribers. They were conceived for telecom carriers seeking to ensure network consistency and individual line control.

■ Description :

CROS PLUS I is a secured optical connection box allowing capacities of 24 to 48 connectors; (up to 144 splices, or 144 uncut coiled fibre storage for the FiberArt variant).

The box is a metal two-compartment housing. Each of the two sections is secured by the means of a lock :

- the left one houses the subscriber access connector zone,
- the right one houses cable entries, splicing trays and coiled fibres.

■ Dimension :

Height
420 mm (16.5 in.)

Width
360 mm (14.2 in.)

Depth
150 mm (5.9 in.)

Weight
10 kg (6.5 pounds)



■ Technical description :

The CROS PLUS I box can be configured in accordance with the included Reference System. It is delivered pre-equipped with :

- A patch panel,
- FiberArt™ splicing modules or 2-4 standard cassettes fitted with tube and pigtail affix accessories,
- A cable entry for 3 cables with 13 mm maximal diameter,
- Top and bottom jumper or drop cable guiding devices*,
- A two-key security system - one key for the carrier, one key for the subscriber.

The cabinet has grounding points at the bottom and at the top. The affix devices are not included in the basic configuration and must be ordered separately (see table overleaf).

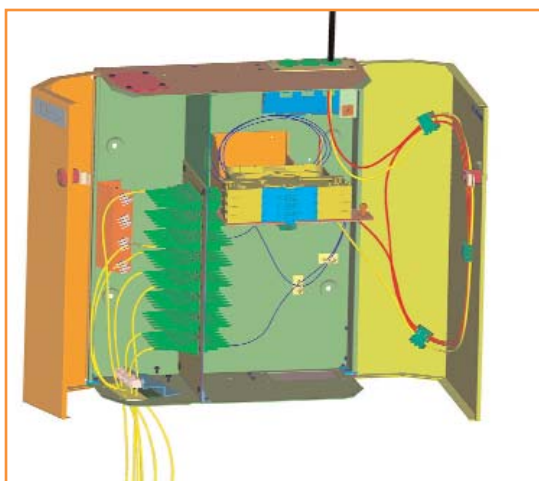
**No top jumper entry for the Protection Index IP54 version.*

■ FiberArt Characteristics :

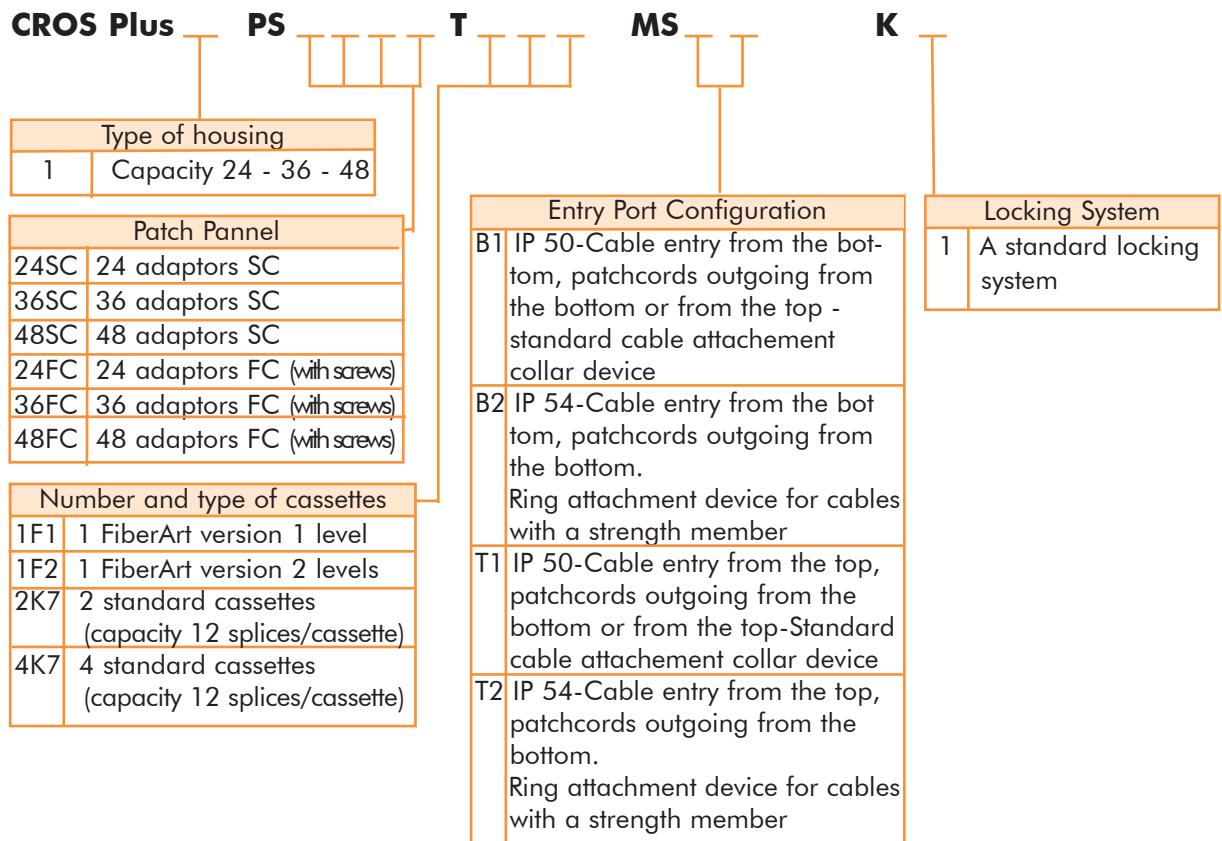
See technical data sheets DTS O FA1-OPT 001-GB and DTS O FA2-OPT 001-GB.

■ Characteristics :

Painting :	Housing - RAL9002
Protection index :	IP 50 or IP 54
Tube length :	3 m (10 ft)
Pigtail length :	2 m (9 ft)
Pigtail diameter :	From 900 μ m to 1,1 mm
Jumper diameter :	From 1,6 mm to 3 mm (0,5 in to 0.12 in.)



Reference System :



Accessories :

Code	Description
56735	Cable attachment device with TY-RAP for up to 13mm-DEP
55831	Metal ring attachment device for cables with a strength member - max diam.13mm
57592	Grounding accessories
44656	Heat-shrink fusion splice protection - package of 12
45632	FOCS mechanical splice - package of 100

***Accessories can be ordered separately.*

The incoming cable attachment devices are not included in the basic configuration, and must be ordered separately.





35, rue Jean Jaurès BP 62 - 95872 BEZONS Cedex - France
Tél : +33 (0)1 39 96 56 56 - Fax : +33 (0)1 39 96 56 53
www.nexans.com